



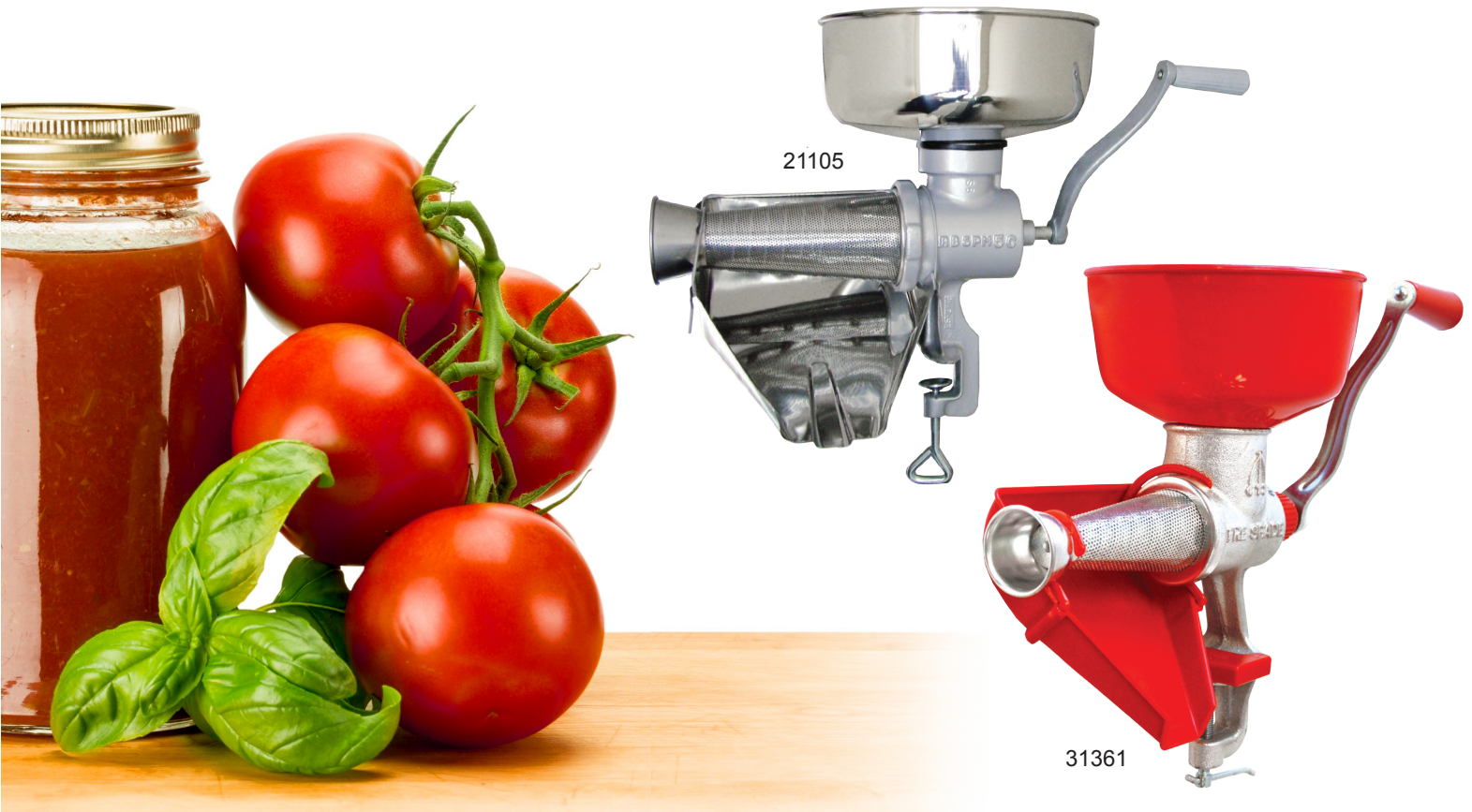
FOOD EQUIPMENT

SERVING THE FOOD INDUSTRY SINCE 1951

MANUAL TOMATO SQUEEZERS

EXTRACT LARGE QUANTITIES OF TOMATO PUREE, SEPARATING IT FROM SEEDS AND SKIN WITHOUT REQUIRING A MOTORIZED UNIT

Suitable for light duty applications.



WARRANTY



Authorized Dealer

FOOD EQUIPMENT

MANUAL TOMATO SQUEEZER WITH STAINLESS STEEL BOWL



Features:

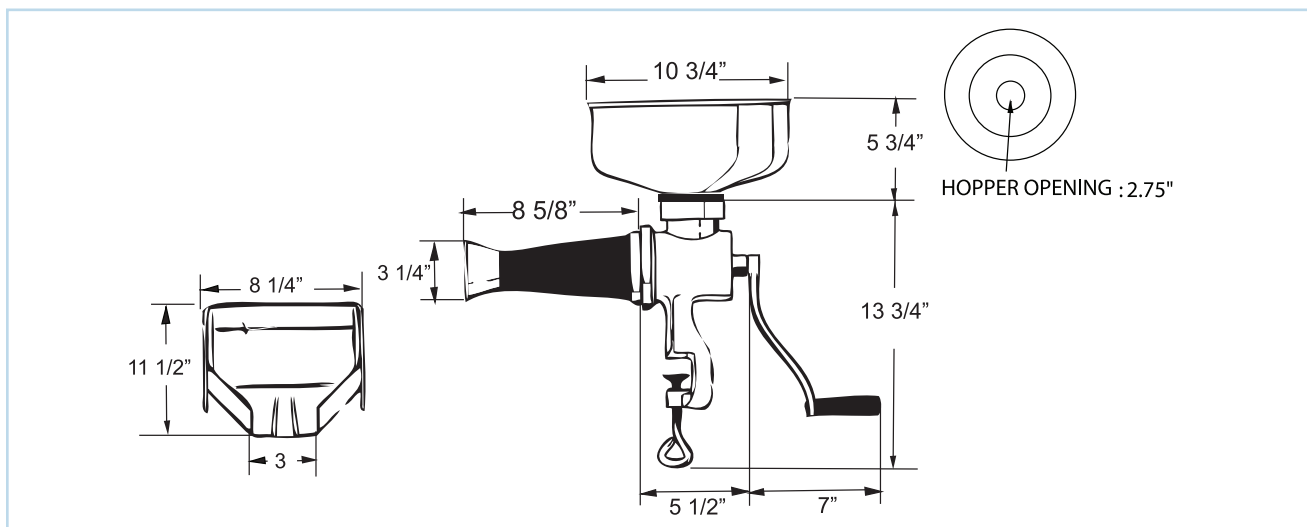
- The hopper, collector, and base are stainless steel
- The worm is plastic and the body is cast iron with double hot tinning
- This manual tomato squeezer is available for those not requiring a motorized unit.



TECHNICAL SPECIFICATIONS

ITEM NUMBER	21105
DESCRIPTION	Manual Tomato Squeezer with Stainless Steel Bowl
WEIGHT	10 lbs. / 4.5 kg.
PACKAGING WEIGHT	12 lbs. / 5.4 kg.
DIMENSIONS (DWH)	10.75" x 14.13" x 19.5" / 273.05 x 358.9 x 495.3 mm
PACKAGING DIMENSIONS	16" x 14" x 10" / 406.4 x 355.6 x 254 mm

TECHNICAL DRAWING AND DIMENSIONS



OMCAN INC.

Telephone: 1-800-465-0234

Fax: (905) 607-0234

Email: sales@omcan.com

Website: www.omcan.com



Follow us to keep up to date with the latest news and offers



2016.E.O.E

Features:

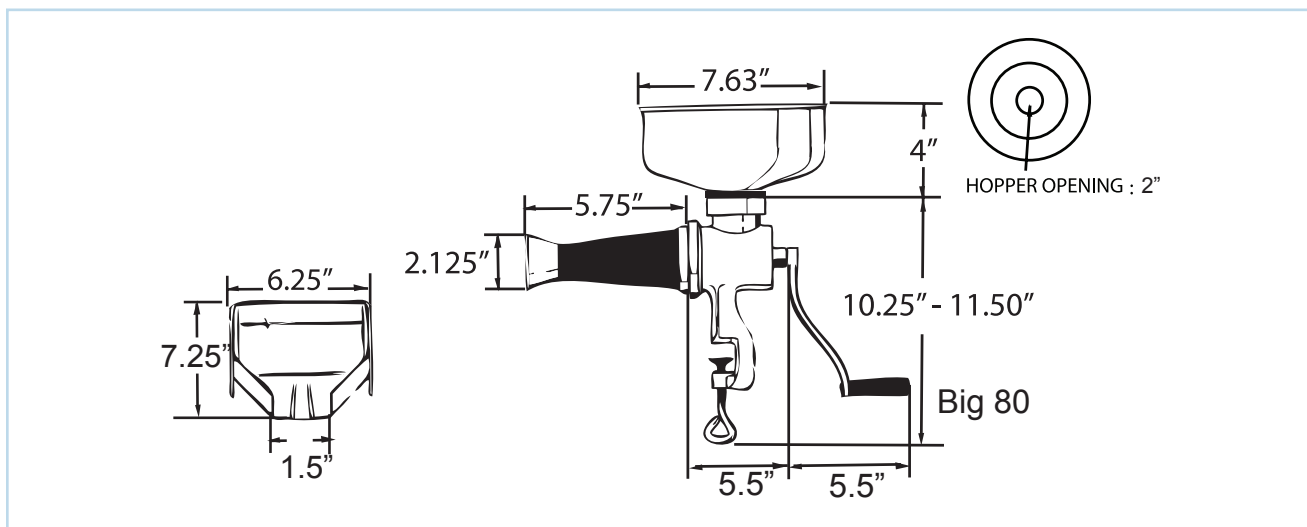
- The hopper, collector, and base are stainless steel
- The worm is plastic and the body is cast iron with double hot tinning
- This manual tomato squeezer is available for those not requiring a motorized unit.



TECHNICAL SPECIFICATIONS

ITEM NUMBER	31361
DESCRIPTION	Manual Tomato Squeezer with Plastic Bowl
WEIGHT	8.5 lbs. / 3.85 kg.
PACKAGING WEIGHT	9 lbs. / 4.08 kg.
DIMENSIONS (DWH)	16.75" x 7.63" x 14.25" / 425.45 x 193.8 x 361.95 mm
PACKAGING DIMENSIONS	13" x 8" x 8" / 330.2 x 203.2 x 203.2 mm

TECHNICAL DRAWING AND DIMENSIONS



OMCAN INC.

Telephone: 1-800-465-0234
 Fax: (905) 607-0234
 Email: sales@omcan.com
 Website: www.omcan.com



Follow us to keep up to date with the latest news and offers

